

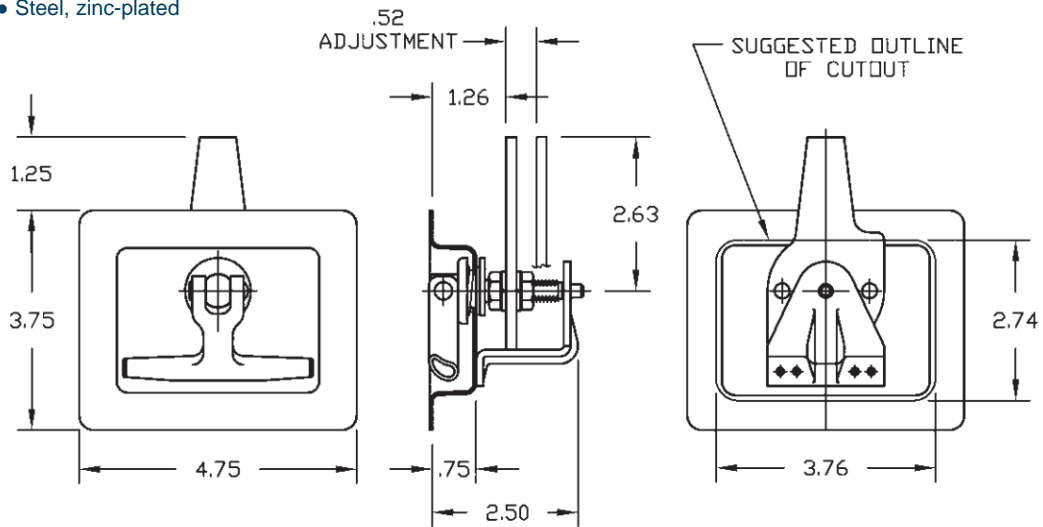
8000 Folding T-Handle Latch

Features

- Single-point folding T-handle lock with adjustable latch for varied door thicknesses
- Concealed stainless steel spring holds handle in folded position
- Off-centre shank permits mounting the lock close to the edge of the door
- Available as right or left hand rotation options
- Welded support bracket adds rigidity to the shank and prevents the cam from unwanted flexing
- Suitable for use on fiberglass, steel or wood doors
- Installed by screws, rivets or welding

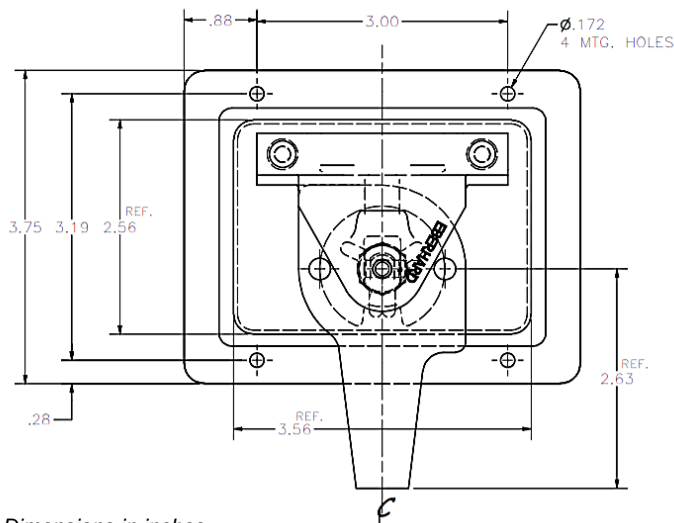
Material

- Steel, zinc-plated



8000-L-25 shown

Part No.	Rotation
8000-L-25	Left
8000-R-25	Right



Dimensions in inches

Other Variants

Part No.	Type	Material of Pan	Rotation
2-8000-L-25	With Mounting Holes	Steel, Zinc Plated	Left
2-8000-R-25			Right
2-8000-SSL		Stainless Steel	Left
2-8000-SSR			Right



We are Eberhard's exclusive distributor